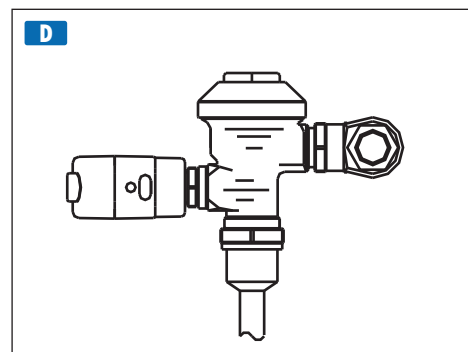
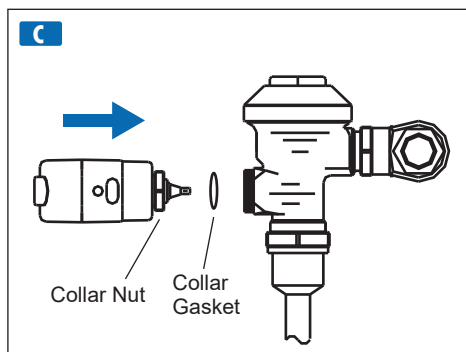
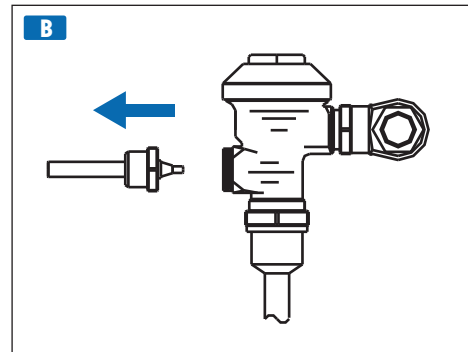
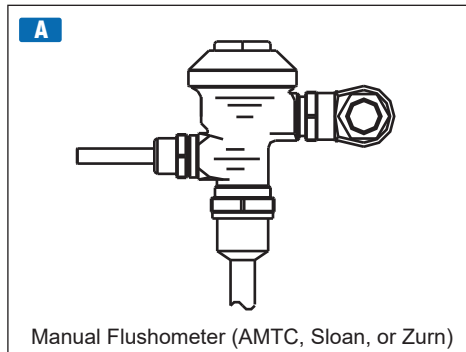




The AUTO FLUSH® sends out an infrared beam that senses a user on a urinal or toilet. Once the user walks away from the fixture the unit triggers the fixture to flush automatically. The unit's unique design includes two manual flush buttons (one electronic and one mechanical) to allow for a courtesy manual flush option and for continuous manual activation when batteries are drained.



Installation Procedure

Pre-Installation Note:

Although not necessary, it is recommended to shut off water supply at stop.

A Using the supplied collar wrench, loosen handle from flush valve.

B Remove handle from flush valve.

Note: A small amount of water may drip out while removing handle so be prepared to collect it with a rag or towel.

C Place collar gasket into collar nut and attach the AUTO FLUSH® unit where the handle was removed.

D Tighten collar nut using the supplied collar wrench.

Note: Save removed handle in case you need to reuse for service of AUTO FLUSH® unit.

- SKU AF01